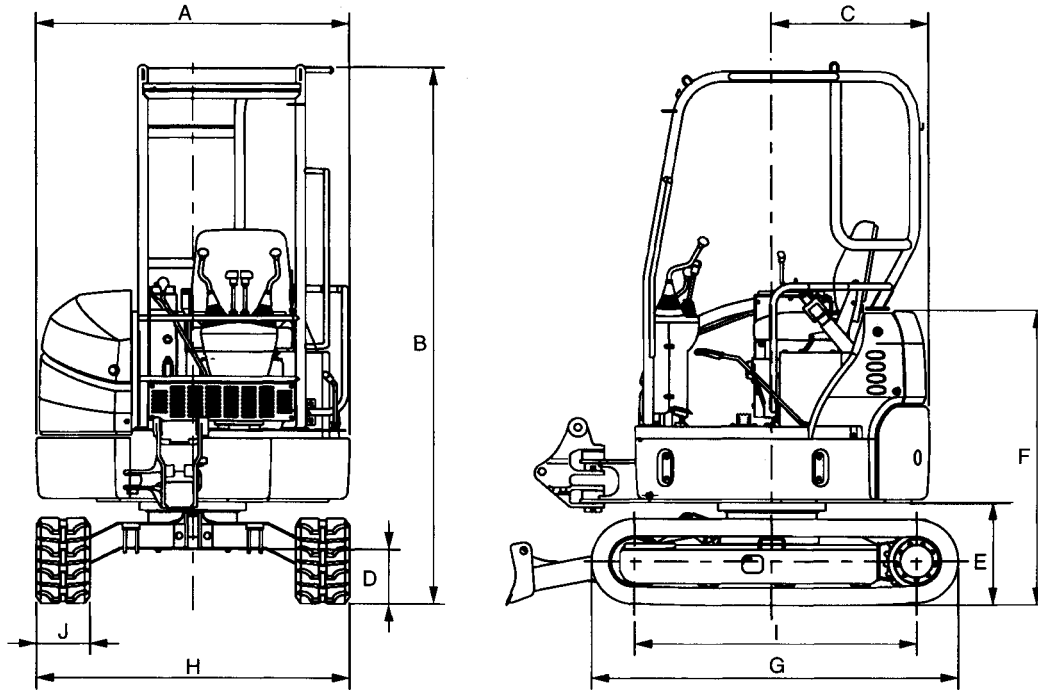


SPECIFICATIONS

SPECIFICATIONS



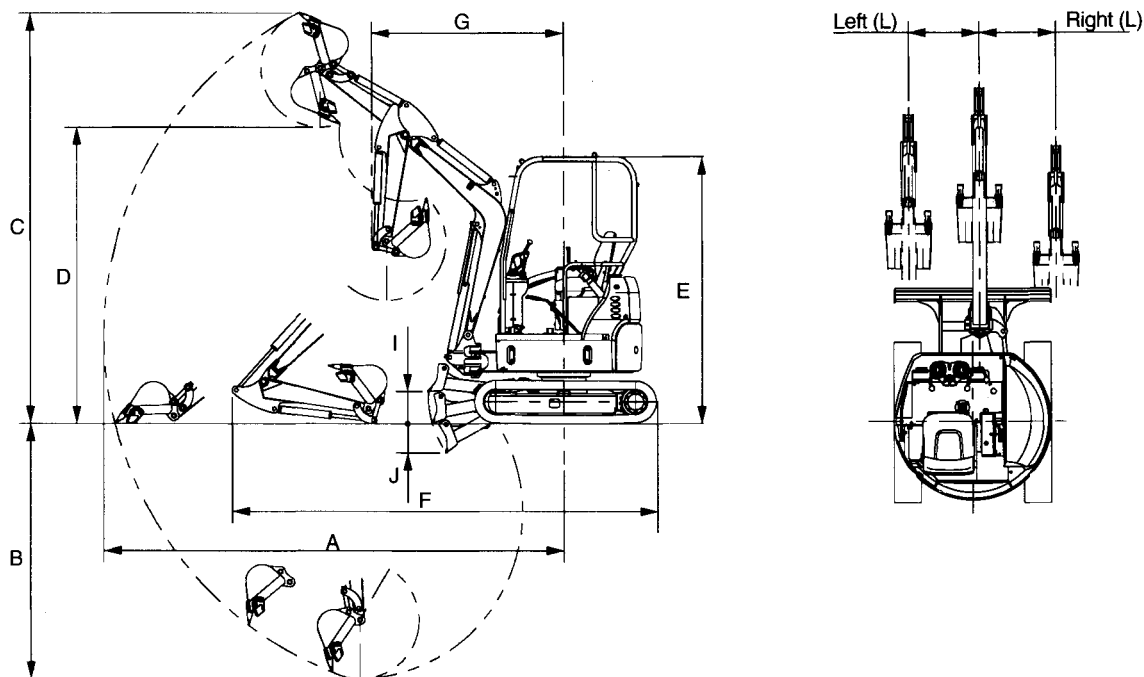
M577-12-001

Type	EX17u	EX20u-3
	Canopy	Canopy
Type of Front-End Attachment	Boom Swing Type	Boom Swing Type
Bucket Capacity (Heaped)	0.045 m ³ (0.059 yd ³)	0.066 m ³ (0.086 yd ³)
Operating Weight	1730 kg (3819 lb)	1990 kg (4387 lb)
Basic Machine Weight	1330 kg (2936 lb)	1510 kg (3329 lb)
Engine	Isuzu 3YB1 9.2 kW/2300 min ⁻¹ (12.5 PS/2300 rpm)	Isuzu 3YE1 14.0 kW/2200 min ⁻¹ (19 PS/2200 rpm)
A: Overall Width	1350 mm (4'5")	1350 mm (4'5")
B: Canopy Cab Height	2280 mm (7'6")	2350 mm (7'9")
C: Rear-End Swing Radius	675 mm (2'3")	725 mm (2'5")
D: Minimum Ground Clearance	240 mm (9")	295 mm (11'6")
E: Counterweight Clearance	455 mm (1'6")	525 mm (1'9")
F: Engine Cover Height	1265 mm (4'2")	1335 mm (4'5")
G: Undercarriage Length	1570 mm (5'2")	1890 mm (6'2")
H: Undercarriage Width	1350 mm (4'5")	1450 mm (4'9")
I: Sprocket Center to Idler Center	1210 mm (4'6")	1480 mm (4'10")
J: Track Shoe Width	230 mm (9") (Rubber Crawler)	250 mm (10") (Rubber Crawler)
Ground Pressure	26.5 kPa (0.27 kgf/cm ² , 3.8 psi)	26.0 kPa (0.27 kgf/cm ² , 3.8 psi)
Swing Speed	8.6 min ⁻¹ (rpm)	9.2 min ⁻¹ (rpm)
Travel Speed (fast/slow)	4.0/2.0 km/h (2.5/1.2 mph)	4.6/2.6 km/h (2.9/1.6 mph)
Gradeability	58% (30°)	58% (30°)

NOTE: * The dimensions do not include the height of the shoe lug.

SPECIFICATIONS

WORKING RANGES



M577-12-002

	EX17u		EX20u-3	
	Canopy		Canopy	
	mm	(ft-in)	mm	(ft-in)
A: Maximum Digging Reach	3950	(13'0")	4250	(13'11")
B: Maximum Digging Depth	2200	(7'3")	2350	(7'9")
C: Maximum Cutting Height	3530	(11'7")	4120	(13'6")
D: Maximum Dumping Height	2550	(8'4")	2860	(9'5")
E: Transport Height (Rubber Crawler)	2280	(7'6")	2350	(7'9")
F: Overall Transport Length	3660	(12'0")	3870	(12'8")
G: Minimum Swing Radius	1400	(4'7")	1700	(5'7")
I: Blade Bottom Highest Position (above ground level)	275	(11")	355	(1'2")
J: Blade Bottom Lowest Position (above ground level)	250	(10")	235	(9")
K: Maximum Boom-Swing Angle	L65°/R50°		L60°/R50°	
L: Offset Distance	L610	(L 2'0")	L600	(L 2'0")
	R660	(R 2'2")	R620	(R 2'0")

NOTE: The dimensions do not include the height of the shoe lug.

SPECIFICATIONS

SHOE TYPES AND APPLICATIONS


EX17u (Canopy)

Shoe Width		230 mm (9") Rubber Shoe
Application		For Paved Road (Standard)
Operating Weight	kg (lb)	1730 (3819)
Minimum Ground Clearance	mm (in)	240 (9")
Undercarriage Length	mm (ft.in)	1570 (5'2")
Undercarriage Width	mm (ft.in)	1350 (4'5")
Ground Pressure	kPa (kgf/cm ² , psi)	26.5 (0.27, 3.8)

 *NOTE: The specifications for the front-end attachment are for 0.93 m (3 ft 1 in) arm with ISO 0.045 m³ bucket.*

EX20u-3 (Canopy)

Shoe Width		250 mm (10") Rubber Shoe	250 mm (10") Grouser Shoe	300 mm (12") Grouser Shoe
Application		For Paved Road (Standard)	For Ordinary Ground (Option)	For Weak Footing (Option)
Operating Weight	kg (lb)	2080 (4590)	1990 (4390)	2140 (4720)
Minimum Ground Clearance	mm (in)	285 (11.2")	295 (11.6")	285 (11.2")
Undercarriage Length	mm (ft.in)	1880 (6'2")	1890 (6'2")	1880 (6'2")
Undercarriage Width	mm (ft.in)	1450 (4'9")	1450 (4'9")	1500 (4'11")
Ground Pressure	kPa (kgf/cm ² , psi)	28.0 (0.29, 4.1)	26.0 (0.27, 3.8)	29.0 (0.30, 4.2)

 *NOTE: The specifications for the front-end attachment are for 1.00 m (3 ft 10 in) arm with ISO 0.066 m³ bucket.*

SPECIFICATIONS


BUCKET TYPES AND APPLICATIONS

EX17u

Bucket	Bucket Capacity m ³ (yd ³) ISO (Heaped)	Bucket Width mm		Front-End Attachment	
		(With side cutter) mm (in)	(Without side cutter) mm (in)	0.93 m (3'1") Arm	1.13 m (3'7") Arm
Hoe Bucket	0.02 (0.026)	250 (10")	200 (8")	⊙	⊙
	0.035 (0.046)	350 (14")	300 (12")	⊙	⊙
	0.04 (0.052)	400 (16")	350 (14")	⊙	⊙
	0.045 (0.059)	450 (18")	400 (16")	⊙	○
	0.05 (0.065)	500 (20")	450 (18")	○	□

EX20u-3

Bucket	Bucket Capacity m ³ (yd ³) ISO (Heaped)	Bucket Width mm		Front-End Attachment	
		(With side cutter) mm (in)	(Without side cutter) mm (in)	1.17 m (3'10") Arm	1.47 m (4'10") Arm
Hoe Bucket	0.04 (0.052)	300 (12")	250 (10")	⊙	⊙
	0.045 (0.060)	350 (14")	300 (12")	⊙	⊙
	0.055 (0.072)	400 (16")	350 (14")	⊙	⊙
	0.066 (0.09)	450 (18")	400 (16")	⊙	○
	0.08 (0.10)	500 (20")	450 (18")	○	○
	0.09 (0.12)	550 (22")	500 (20")	○	□

 NOTE: (1) Symbols in the above table have the following meanings.

- ⊙: General excavating
- : Light duty excavating
- : Loading work

(2) Hoe bucket is applicable to the following types of work.

General excavating:

For digging and loading operation of sand, gravel, clay, ordinary earth and so on.

Light duty excavating:

For digging loading operation of dried, loosened earth, sand, mud so on.

Their bulk density shall be less than 1600 kg/m³ as a standard.

For loading operation of dried, loosened earth and sand.

Their bulk density shall be less than 1100 kg/m³ as a standard.